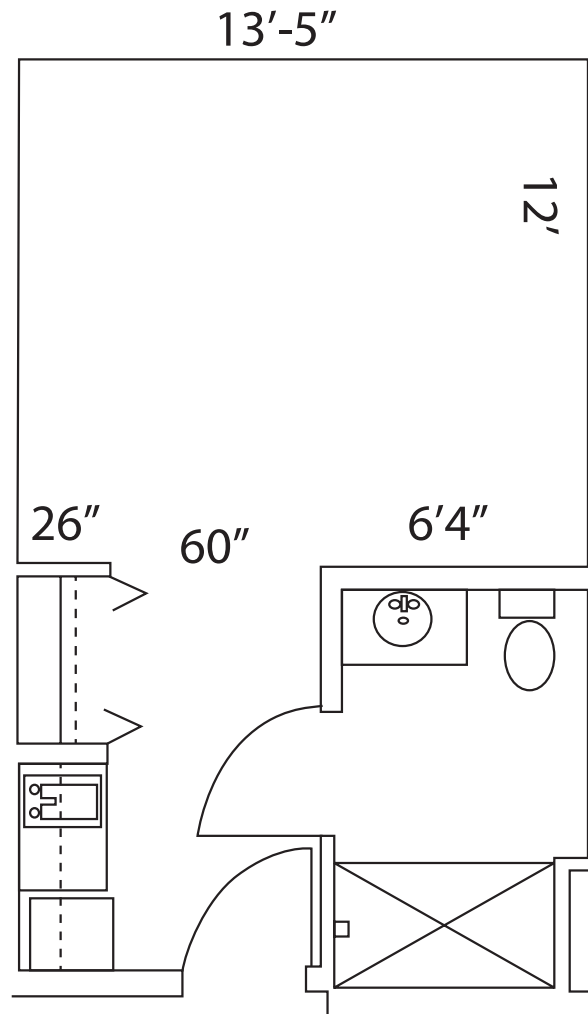


# Suite Layouts



## THE HENLOPEN

While the Cape Henlopen Light house (1767) no longer stands as a guiding light through the Delaware Bay, we honor its years of service with our cozy, one-room suite featuring 310 square feet of living space



BRANDYWINE LIVING  
at Seaside Pointe  
*Life is Beautiful*