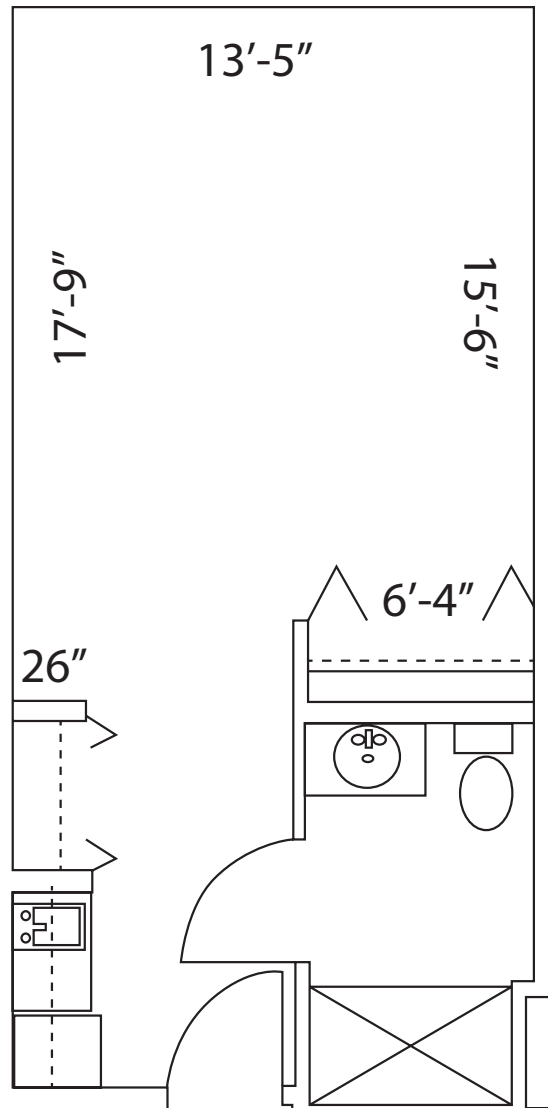


Suite Layouts



THE FENWICK

Named for the Fenwick Island Lighthouse (1859), which sits exactly on the eastern origin of the Mason-Dixon Line, this one-room suite features 390 square feet of living space. A comfortable choice for one or two.



BRANDYWINE LIVING
at Seaside Pointe
Life is Beautiful