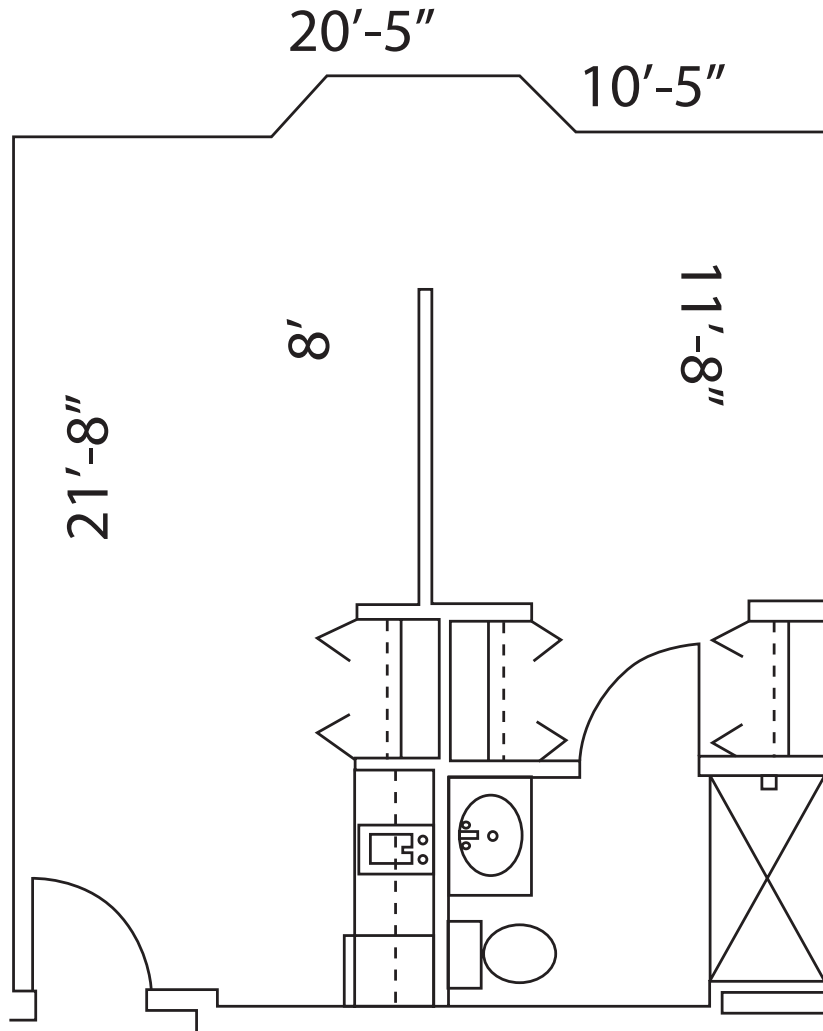


# Suite Layouts



## THE CAPE MAY

With its 157-foot tower, the Cape May Lighthouse (1859) continues to guide vessels along the coast into the Delaware Bay. Our two-room suite salutes its grand presence with 460 square feet of living space. The Cape May is perfect for those seeking a large private suite or those who desire the company of a roommate.



BRANDYWINE LIVING  
at Seaside Pointe  
*Life is Beautiful*